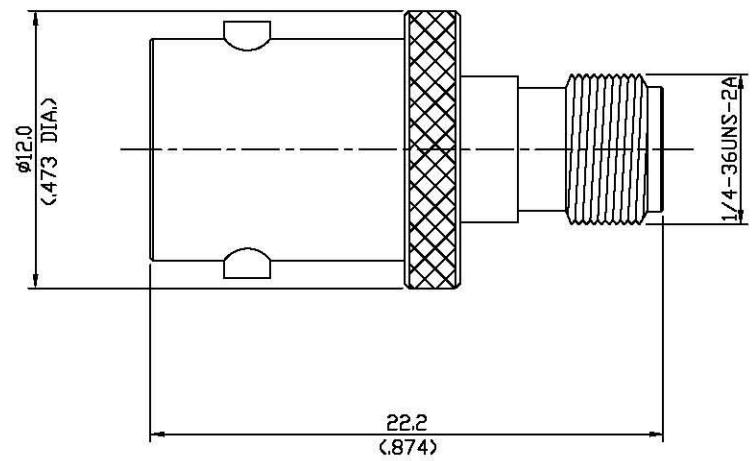


REVISIONS			
NO	DESCRIPTION	APPROVED	DATE



- * Description
SMA : JACK
BNC : JACK
- * Material
SMA : Brass/Nickel
BNC : Brass/Nickel

TOL.UNLESS NOTED
 X = ±0.1
 X.X = ±0.05
 X.XX = ±0.01

DATE	
DRAWN BY	
DESIGNED BY	
CHECKED BY	
APPD.BY	
SCALE 1 : 1	UNIT mm

		Systron Inc. 1274-3rd Avenue South Lethbridge, AB T1J 0J9	
		TITLE	
		SMA to BNC ADAPTER	
SIZE	DRAWING NO		SC410-010-000
	SHEET		1 OF 1