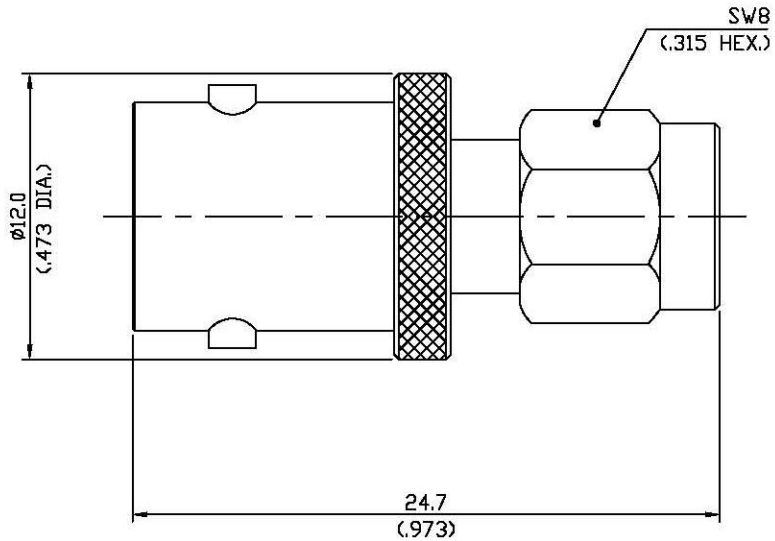



REVISIONS			
NO	DESCRIPTION	APPROVED	DATE



- * Description
SMA : PLUG
BNC : JACK
- * Material
SMA : Brass/Nickel
BNC : Brass/Nickel

TOL. UNLESS NOTED
 X = ±0.1
 X.X = ±0.05
 X.XX = ±0.01

DATE		 Systron Inc. 1274-3rd Avenue South Lethbridge, AB T1J 0J9
DRAWN BY		
DESIGNED BY		TITLE SMA to BNC ADAPTER
CHECKED BY		SIZE
APPD. BY		DRAWING NO SC410-011-000
SCALE 1 : 1	UNIT mm	SHEET 1 OF 1