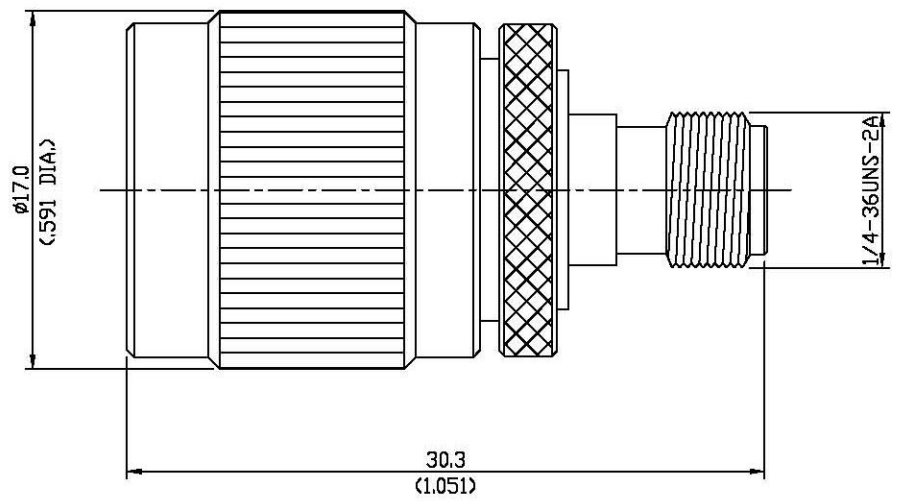



REVISIONS			
NO	DESCRIPTION	APPROVED	DATE



- \* Description  
SMA : JACK  
TNC : PLUG
- \* Material  
SMA : Brass/Nickel  
TNC : Brass/Nickel

TOL. UNLESS NOTED  
X =  $\pm 0.1$   
X.X =  $\pm 0.05$   
X.XX =  $\pm 0.01$

DATE	
DRAWN BY	
DESIGNED BY	
CHECKED BY	
APPD. BY	
SCALE 1 : 1	UNIT mm 

		Systron Inc. 1274-3rd Avenue South Lethbridge, AB T1J 0J9	
TITLE		SMA to TNC ADAPTER	
SIZE	DRAWING NO SC410-016-000		
SHEET 1		OF 1	