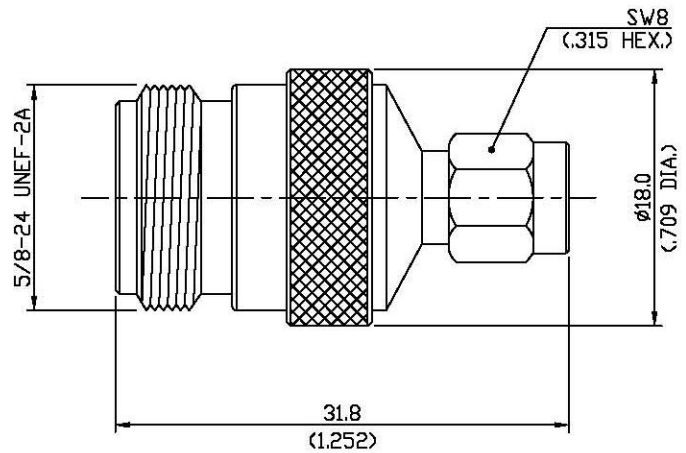


| REVISIONS | | | |
|-----------|-------------|----------|------|
| NO | DESCRIPTION | APPROVED | DATE |
| | | | |




* Description
 SMA : PLUG
 N : JACK

* Material
 SMA : Brass/Nickel
 N : Brass/Nickel

TOL.UNLESS NOTED
 X = ±0.1
 X.X = ±0.05
 X.XX = ±0.01

| | |
|-------------|---------|
| DATE | |
| DRAWN BY | |
| DESIGNED BY | |
| CHECKED BY | |
| APPD.BY | |
| SCALE 1 : 1 | UNIT mm |

| | | | |
|---|--------------------------|--|--|
|  | | Systron Inc. 1274-3rd Avenue South Lethbridge, AB T1J 0J9 | |
| TITLE | | SMA to N ADAPTER | |
| SIZE | DRAWING NO SC410-019-000 | | |
| SHEET 1 | | OF 1 | |