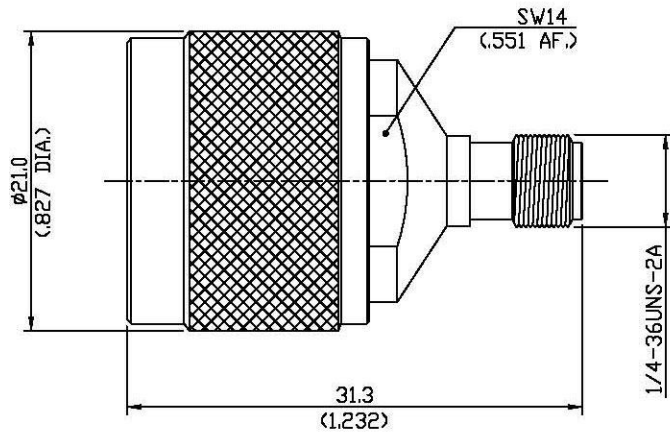


REVISIONS			
NO	DESCRIPTION	APPROVED	DATE



* Description
 SMA : JACK
 N : PLUG

* Material
 SMA : Brass/Nickel
 N : Brass/Nickel

TOL.UNLESS NOTED
 X = ± 0.1
 X.X = ± 0.05
 X.XX = ± 0.01

DATE	
DRAWN BY	
DESIGNED BY	
CHECKED BY	
APPD.BY	
SCALE 1 : 1	UNIT mm

 Systron Inc. 1274-3rd Avenue South Lethbridge, AB T1J 0J9	
TITLE SMA to N ADAPTER	
SIZE	DRAWING NO SC410-020-000
SHEET 1 OF 1	