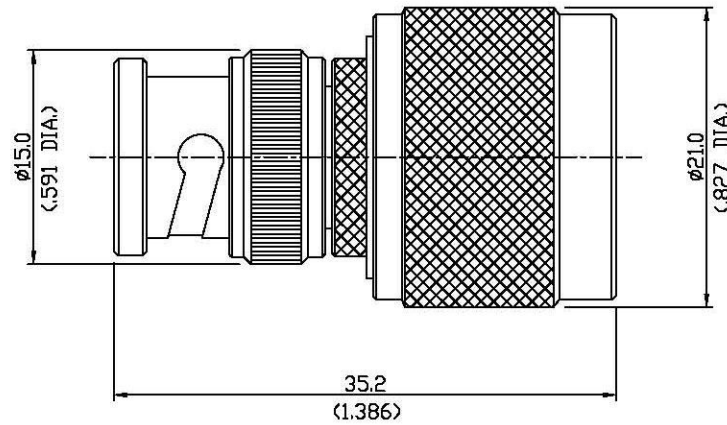



REVISIONS			
NO	DESCRIPTION	APPROVED	DATE



* Description
 BNC : PLUG
 N : PLUG

* Material
 BNC : Brass/Nickel
 N : Brass/Nickel

TOL.UNLESS NOTED
 X = ± 0.1
 X.X = ± 0.05
 X.XX = ± 0.01

DATE		 Systron Inc. 1274-3rd Avenue South Lethbridge, AB T1J 0J9
DRAWN BY		
DESIGNED BY		TITLE BNC to N ADAPTER
CHECKED BY		SIZE
APPD.BY		DRAWING NO SC410-021-000
SCALE 1 : 1	UNIT mm	SHEET 1 OF 1