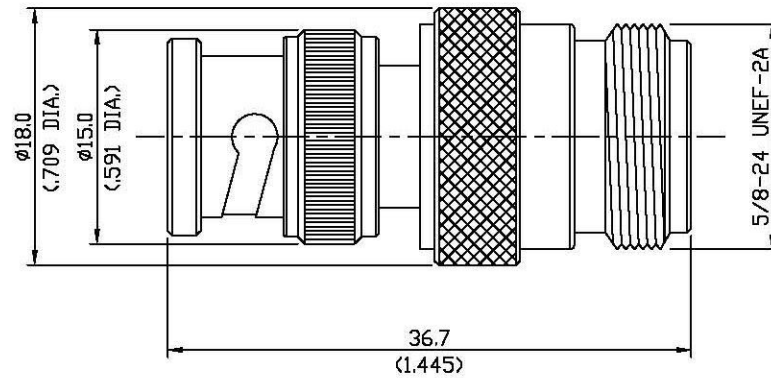


REVISIONS			
NO	DESCRIPTION	APPROVED	DATE



* Description
 BNC : PLUG
 N : JACK

* Material
 BNC : Brass/Nickel
 N : Brass/Nickel

TOL.UNLESS NOTED
 X = ±0.1
 X.X = ±0.05
 X.XX = ±0.01

DATE	
DRAWN BY	
DESIGNED BY	
CHECKED BY	
APPD.BY	
SCALE 1 : 1	UNIT mm

 Systron Inc. 1274-3rd Avenue South Lethbridge, AB T1J 0J9	
TITLE BNC to N ADAPTER	
SIZE	DRAWING NO SC410-023-000
SHEET 1 OF 1	