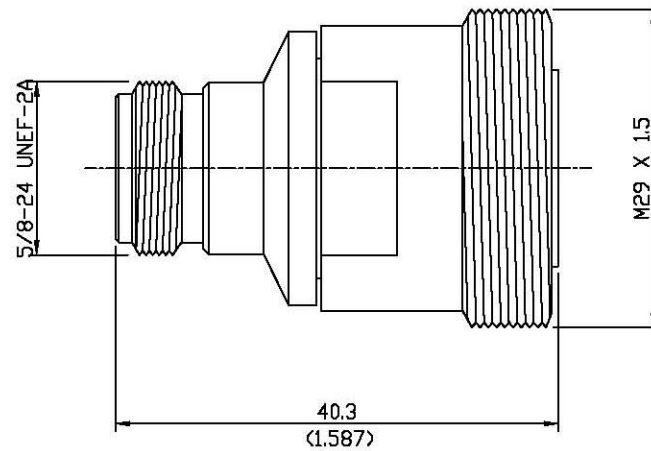


REVISIONS			
NO	DESCRIPTION	APPROVED	DATE




* Description

N : JACK
7/16 DIN : JACK

* Material

N : Brass/SUCO
7/16 DIN : Brass/SUCO

TOL.UNLESS NOTED
X = ±0.1
X.X = ±0.05
X.XX = ±0.01

DATE		 Systron Inc. 1274-3rd Avenue South Lethbridge, AB T1J 0J9
DRAWN BY		
DESIGNED BY		TITLE
CHECKED BY		N to 7/16 DIN ADAPTER
APPD.BY		SIZE
SCALE 1 : 1	UNIT mm	DRAWING NO
		SC410-026-000
		SHEET 1 OF 1