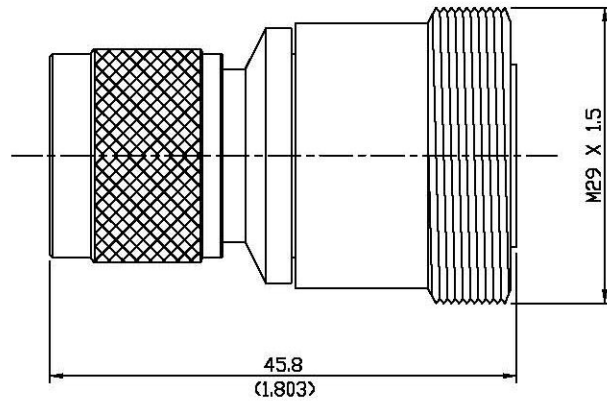



REVISIONS			
NO	DESCRIPTION	APPROVED	DATE



* Description
 N : PLUG
 7/16 DIN : JACK

* Material
 N : Brass/SUCO
 7/16 DIN : Brass/SUCO

TOL.UNLESS NOTED
 X = ±0.1
 X.X = ±0.05
 X.XX = ±0.01

DATE		 Systron Inc. 1274-3rd Avenue South Lethbridge, AB T1J 0J9
DRAWN BY		
DESIGNED BY		TITLE N to 7/16 DIN ADAPTER
CHECKED BY		SIZE DRAWING NO C410-027-000
APPD.BY		
SCALE 1 : 1	UNIT mm	SHEET 1 OF 1