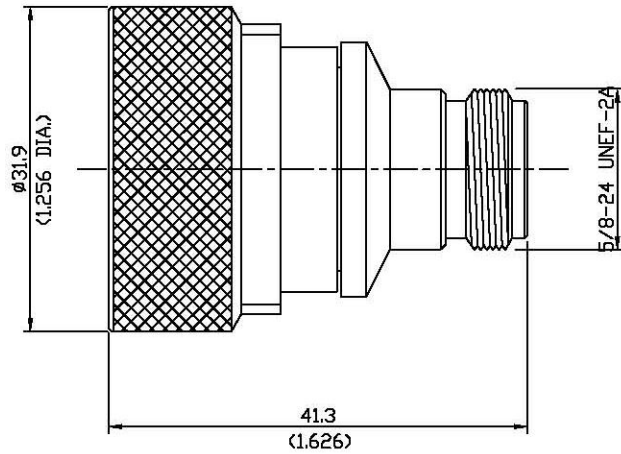


REVISIONS			
NO	DESCRIPTION	APPROVED	DATE




\* Description

N : JACK  
7/16 DIN : PLUG

\* Material

N : Brass/SUCO  
7/16 DIN : Brass/SUCO

TOL. UNLESS NOTED  
X =  $\pm 0.1$   
X.X =  $\pm 0.05$   
X.XX =  $\pm 0.01$

DATE		 Systron Inc. 1274-3rd Avenue South Lethbridge, AB T1J 0J9
DRAWN BY		
DESIGNED BY		TITLE
CHECKED BY		N to 7/16 DIN ADAPTER
APPD. BY		SIZE
SCALE 1 : 1	UNIT mm	DRAWING NO
		SC410-028-000
		SHEET 1 OF 1