



## Chip Antenna Specifications

Unit Name	Chip Antenna
Part Name	KSCA-B0315AY
Date	March 17, 2005

Written by	Checked by	Approved by



Systron Inc.  
1274 - 3<sup>rd</sup> Avenue South  
Lethbridge, Alberta  
T1J 0J9 Canada

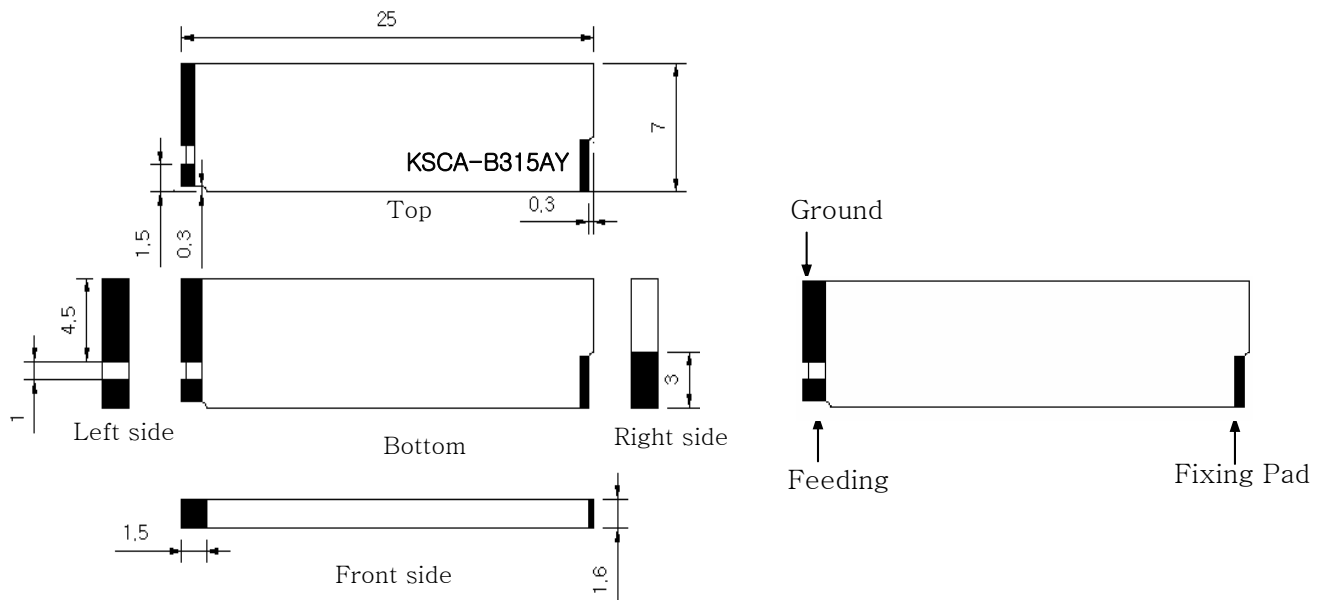
Phone: (403) 327-1444  
Fax: (403) 327-1480  
e-mail: [sales@systroninc.com](mailto:sales@systroninc.com)

## 1. SPECIFICATIONS

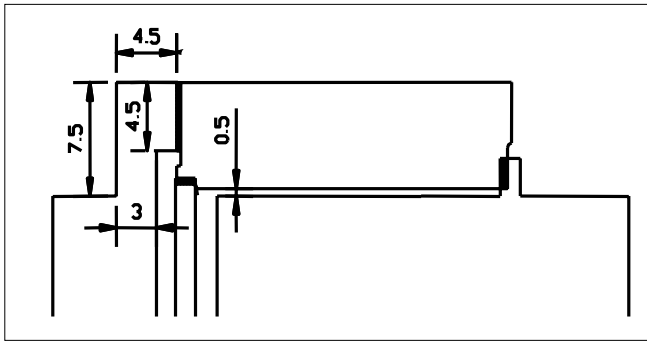
Part No.	KSCA-B0315AY
Center frequency	315 MHz
Dimensions	29.0 × 7.0 × 1.8 mm
Bandwidth in $S_{11} \leq -10\text{dB}$	$f_c \pm 3 \text{ MHz Min.}$
Impedance	50 $\Omega$
Peak gain <sup>(1)</sup>	-6.3 dBi ( in H plane )
Average gain	-7.8 dBi ( in H plane )

(1) Peak gain might be influenced by environment.

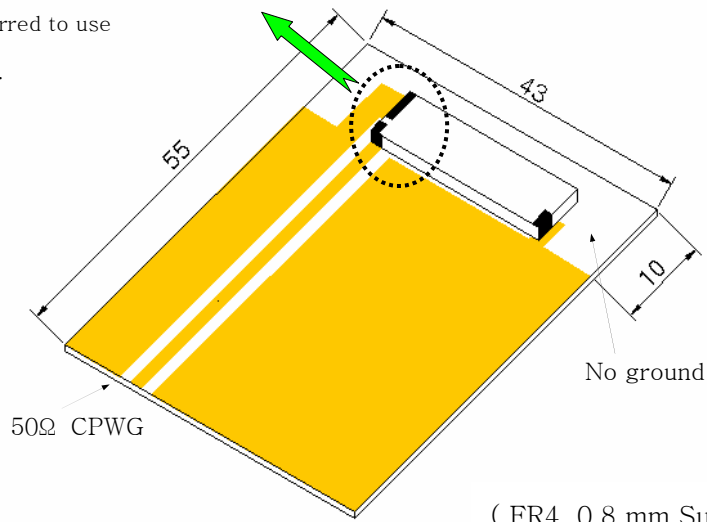
## 2. Dimensions & Soldering



### 3. STANDARD TEST BOARD & RECOMMENDED LAND PATTERN<sup>(2)</sup>

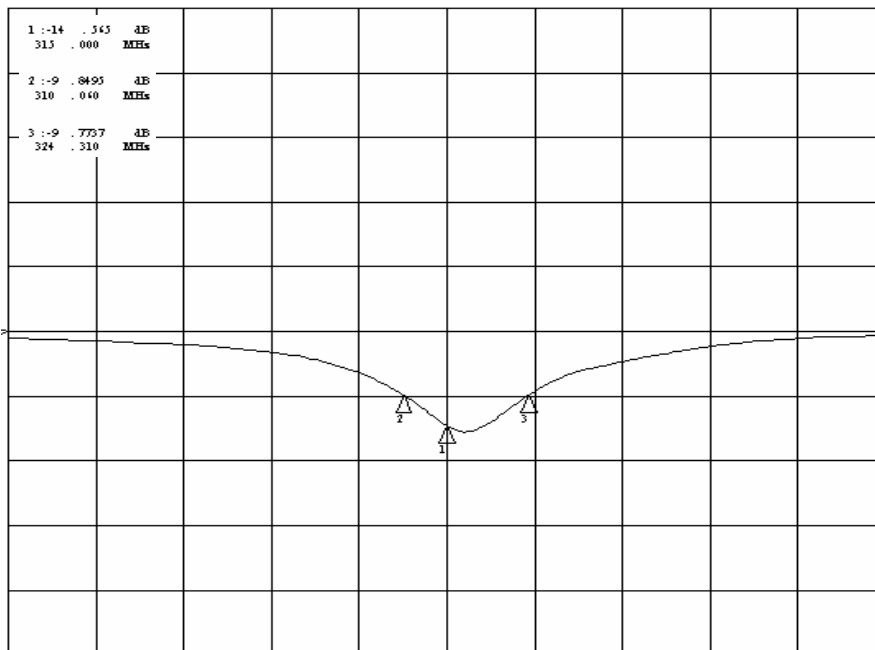


(2) The specifications are referred to use our suggested PCB pattern.



(FR4, 0.8 mm Substrate.)

### 4. MEASURED RETURN LOSS



### 5. RADIATION PATTERN

