



Dielectric Filter Specifications

Unit Name	Dielectric Resonator Filter
Part Name	MBP33R5787S125PCY
Date	September 5, 2002

Written by	Checked by	Approved by



Systron Inc.
1274 - 3rd Avenue South
Lethbridge, Alberta
T1J 0J9 Canada

Phone: (403) 327-1444
Fax: (403) 327-1480
e-mail: sales@systroninc.com

CUSTOMER :

PART NO : MBP33R5787S125PCY

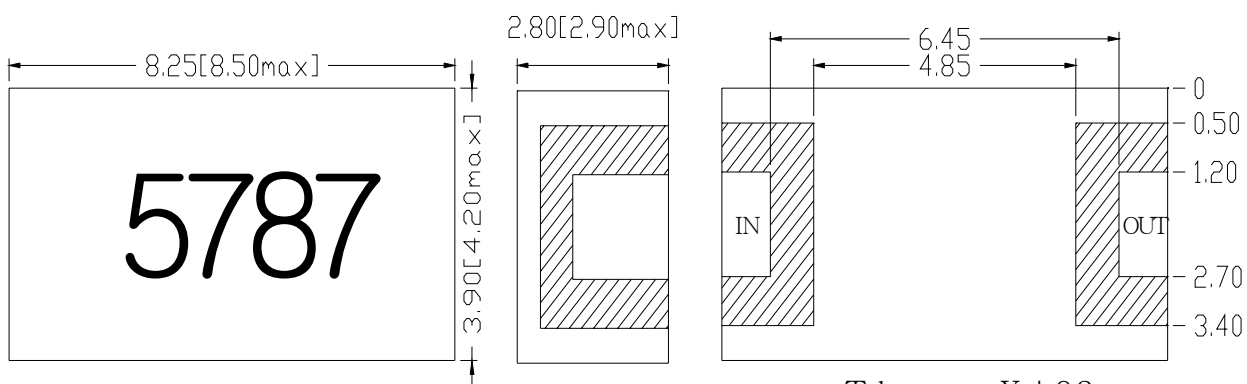
DATE : September 5, 2002

WRITTEN BY	CHECKED BY	APPROVAL

1. Electrical Specifications.

NO.	ITEM	KSE' s Spec.	Unit
1	Center Frequency [fo]	5787.5	MHz
2	Pass Bandwidth [BW]	fo ± 62.5 (5725 ~ 5850)	MHz
3	Insertion Loss in BW	2.5 max	dB
4	Ripple in BW	0.5 max.	dB
5	V.S.W.R	2.0 : 1 max.	Ratio
6	In/Out Impedance	50	Ohm
7	Attenuation [Absolute Value]	25 min. @ 6175 MHz	dB
		20 min. @ 5530 MHz	
		28 min. @ 5425 MHz	
		30 min. @ 5210 MHz	
8	Operation Temperature Range	-40° C to +85° C	
9	Test Jig	MBP 33R PCB JIG(1880-1960)	
10	Quantity	5 PCS	

2. Dimensions.



Tolerance : .X:±0.3
.XX:±0.15

Unit : mm

3. GRAPH.

