



## VCO Specifications

Unit Name	Voltage Controlled Oscillator
Part Name	KSV-3.3V2753AY
Date	June 23, 2004

Written by	Checked by	Approved by



Systron Inc.  
1274 - 3<sup>rd</sup> Avenue South  
Lethbridge, Alberta  
T1J 0J9 Canada

Phone: (403) 327-1444  
Fax: (403) 327-1480  
e-mail: [sales@systroninc.com](mailto:sales@systroninc.com)

**PRELIMINARY SPEC**

No. :

**KSV-3.3V2753AY**

Date : JUN 23 , 2004

**1. PART NUMBERING**

$$\frac{\text{K S V}}{1} \text{ — } \frac{\text{3.3}}{2} \frac{\text{V}}{3} \frac{\text{2753}}{4} \frac{\text{AY}}{5}$$

- 1 Denote V. C. O
- 2 Operating voltage
- 3 Housing Type
- 4 Center frequency
- 5 Revision

**2. HOUSING DIMENDIONS**

- 2-1 Circuit
- 2-2 Resonator
- 2-3 Terminal
- 2-4 Case
- 2-5 Dimensions

Hybrid Integrated Circuit  
 Micro Strip Line  
 SMD Type  
 Steel Sn-Pb Plating  
 See Fig -1

**3. ELECTRICAL CHARACTERISTICS**

<u>ITEM</u>	<u>SPEC</u>			<u>UNIT</u>	<u>TEST CONDITION</u>
	MIN.	TYP.	MAX.		
3-1 Operating Voltage ( Vcc )	3.15	3.30	3.45	Vdc	
3-2 Output Level	0	3	6	dBm	
3-3 Current Consumption (Icc)			15	mA	
3-4 Tuning Sensitivity(avg.)	23.5	45		MHz/V	Vt = 0.3 ~ 3.0V
3-5 Tuning Voltage (Vt)	0.3		3.0	Vdc	
3-6 Oscillation Frequency			2722	MHz	Vcc = 3.3V, Vt = 0.3V
	2785			MHz	Vcc = 3.3V, Vt = 3.0V
3-7 C/N ( @ 10 KHz offset )		-100		dBc / Hz	
3-8 Pushing Figure			±2000	kHz	Vcc = 3.3±0.15V
3-9 2'nd Harmonic		-15		dBc	
3-10 Load Impedance		50		Ω	
3-11 Operating Temperature	-20		+80	°C	

**SPECIFICATIONS**

No. : 2Y - VV - 0222C

**K . S . E .**

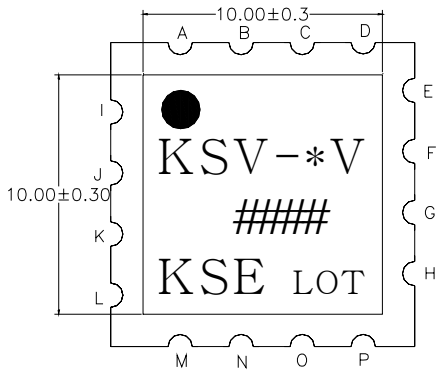
**V - TYPE**

Date :

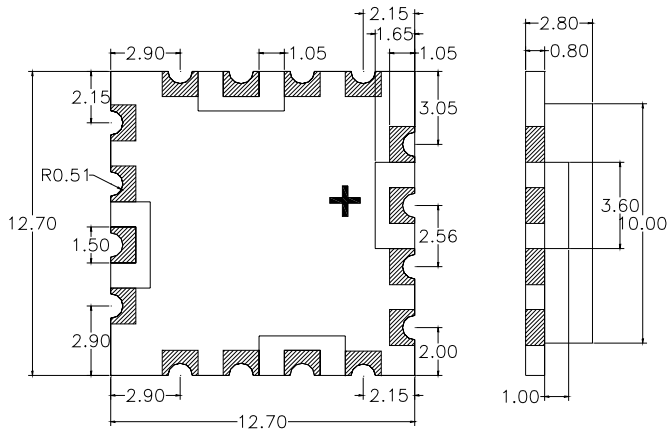
**FIG. 1 DIMENSIONS**

1. KSV : KOREA SANGSHIN VCO
2. \* : OPERATING VOLTAGE
3. V : TYPE
4. ##### : CENTER FREQUENCY
5. KSE : MANUFACTURER
6. LOT : YYWW (YY THE YEAR OF MFG  
WW THE WEEK OF MFG)
7. METHOD OF PRINTING : BLACK SILKSCREEN

TOP VIEW



BOTTOM VIEW



**TITLE OF TERMINAL**

A,B,D,E,F,H,I,K,L,M,O,P : GROUND

C : POWER SUPPLY

G : OUTPUT POWER

J : CONTROL VOLTAGE

N : AUDIO MODULATION (OR N.C)

\* UNIT : mm

CASE t : 0.15 mm