



VCO Specifications

Unit Name	Voltage Controlled Oscillator
Part Name	KSV-4.0S926CY
Date	July 10, 2002

Written by	Checked by	Approved by



Systron Inc.
1274 - 3rd Avenue South
Lethbridge, Alberta
T1J 0J9 Canada

Phone: (403) 327-1444
Fax: (403) 327-1480
e-mail: sales@systroninc.com

Systron Inc	SPECIFICATIONS	No. : 2Y – VS – 0203C
K . S . E .	KSV-4.0S926CY	Date : July 10, 2002

1. PART NUMBERING

$$\frac{\mathbf{K\ S\ V}}{\mathbf{1}} \text{ — } \frac{\mathbf{4.0}}{\mathbf{2}} \frac{\mathbf{S}}{\mathbf{3}} \frac{\mathbf{926}}{\mathbf{4}} \frac{\mathbf{CY}}{\mathbf{5}}$$

- 1 Denote V. C. O
- 2 Operating voltage
- 3 V. C. O type
- 4 Center frequency
- 5 Revision

2. HOUSING DIMENSIONS

- 2 – 1 Circuit
- 2 – 2 Resonator
- 2 – 3 Terminal
- 2 – 4 Case
- 2 – 5 Dimensions

Hybrid Integrated Circuit
 Micro Strip Line
 SMD Type
 Steel Sn-Pb Plating
 See Fig -1

3. ELECTRICAL CHARACTERISTICS

<u>ITEM</u>	<u>SPEC</u>	<u>UNIT</u>
3 – 1 Operating Voltage (Vcc)	4.0 ± 0.15	Vdc
3 – 2 Output Power	0 ± 3	dBm
3 – 3 Current Consumption (Icc)	max. 15	mA
3 – 4 Tuning Sensitivity(avg.)	min. 13.0	MHz/V
3 – 5 Tuning Voltage (Vt)	1.0 to 3.0	Vdc
3 – 6 Oscillation Frequency (Vt = 2.0 V)	926 ± 2	MHz
Vt = 1.0 V	< 913.0	
Vt = 3.0 V	> 939.0	
3 – 7 C/N (@10 KHz offset)	max. – 98	dBc / Hz
C/N (@100 KHz offset)	max. – 113	dBc / Hz
C/N (@500 KHz offset)	max. – 120	dBc / Hz
C/N (@ 1 MHz offset)	max. – 125	dBc / Hz
3 – 8 Pushing Figure (Vcc ± 0.15)	max. ± 500	kHz
3 – 9 Pulling Figure (VSWR 2:1 all phases)	max. ± 2	MHz
3 – 10 Spurious Response (2'nd Harmonic)	Max. – 15	dBc
3 – 11 Load Impedance	50	Ohm
3 – 12 Operating Temperature	- 35 ~ + 85	°C

Systron Inc

SPECIFICATIONS

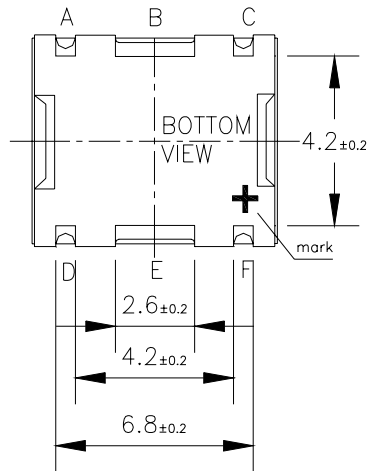
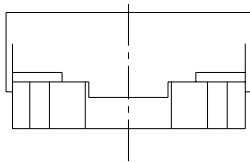
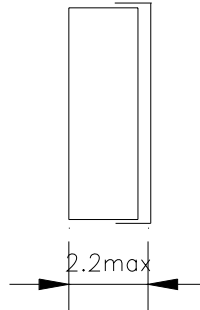
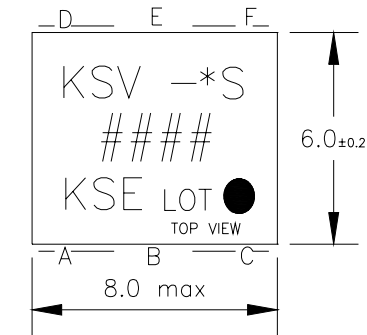
No. :

K . S . E .

S - TYPE

Date : MAY . 14 , 2002

FIG. 1 DIMENSIONS



- 1. KSV : KOREA SANGSHIN VCO
- 2. * : OPERATING VOLTAGE
- 3. S : TYPE
- 4. #### : CENTER FREQUENCY
- 5. KSE : MANUFACTURER
- 6. LOT : YYWW (YY THE YEAR OF MFG
WW THE WEEK OF MFG)
- 7. METHOD OF PRINTING : BLACK SILKSCREEN

TITLE OF TERMINAL

- A : CONTROL VOLTAGE
- B,E : GROUND
- C : POWER SUPPLY
- D : AUDIO MODULATION (OR N.C)
- F : OUTPUT POWER
- * UNIT : mm
- CASE t : 0.2mm

FIG. 2 RECOMMENDED BOARD PATTERN

