



VCO Specifications

Unit Name	Voltage Controlled Oscillator
Part Name	KSV-5V2450BY
Date	November 24, 2005

Written by	Checked by	Approved by



Systron Inc.
1274 - 3rd Avenue South
Lethbridge, Alberta
T1J 0J9 Canada

Phone: (403) 327-1444
Fax: (403) 327-1480
e-mail: sales@systroninc.com

Customer:	SAMPLE SPEC	No. :
	KSV-5V2450BY	Date : Nov. 24, 2005

1. PART NUMBERING

KSV — 5 V 2450 BY
 1 2 3 4 5

- 1 Denote V. C. O
- 2 Operating voltage
- 3 V. C. O type
- 3 Center frequency
- 5 Revision

2. MECHANICAL

- 2 – 1 Circuit Hybrid Integrated Circuit
- 2 – 2 Resonator Micro Strip Line
- 2 – 3 Terminal SMD Type
- 2 – 4 Case Steel Sn-Pb Plating
- 2 – 5 Dimensions See Fig -1

3. ELECTRICAL CHARACTERISTICS

<u>ITEM</u>	<u>SPEC</u>			<u>UNIT</u>	<u>TEST CONDITION</u>
	MIN.	TYP.	MAX.		
3 – 1 Operating Voltage (Vcc)	4.75	5.0	5.25	Vdc	
3 – 2 Output Level	-3	0	3	dBm	
3 – 3 Current Consumption (Icc)		15	25	mA	
3 – 4 Tuning Sensitivity(avg.)		42		MHz/V	
3 – 5 Tuning Voltage (Vt)	0.5		4.5	Vdc	
3 – 6 Oscillation Frequency			2400	MHz	Vt=0.5V
			2500	MHz	Vt=4.5V
3 – 7					
C/N (@10 KHz offset)		-100	-97	dBc / Hz	
C/N (@ 100 KHz offset)		-120	-117	dBc / Hz	
C/N (@ 1 MHz offset)		-140	-135	dBc / Hz	
3 – 8 Pushing Figure		2	4	MHz/V	Vcc=5.0±0.25 V
3 – 9 2'nd Harmonic		-25	-15	dBc	
3 – 10 Load Impedance		50		Ohm	
3 – 11 Operating Temperature	-40		+85	°C	
3 – 12 Pulling Figure			5	MHz p-p	@12dBr, Any phase

SPECIFICATIONS

No. :

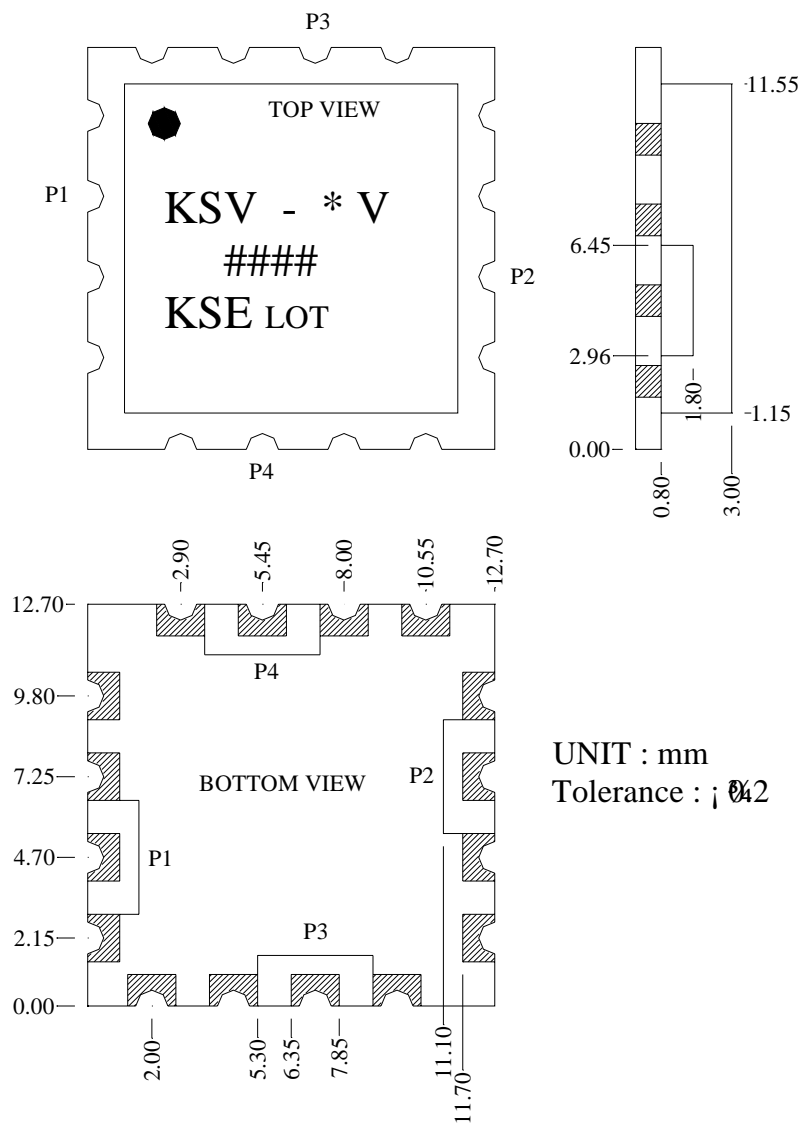
K . S . E .

V-TYPE

Date :

FIG. 1 DIMENSIONS

- P1 Tuning Voltage
- P2 RF OUT
- P3 Supply Voltage
- P4 GND
- All Other Pins are GND



UNIT : mm
Tolerance : ± 0.2

MARKING:

KSV Korea Sangshin VCO
V Type
KSE Manufacturer

* Supply Voltage
Center Frequency
LOT YYWW date